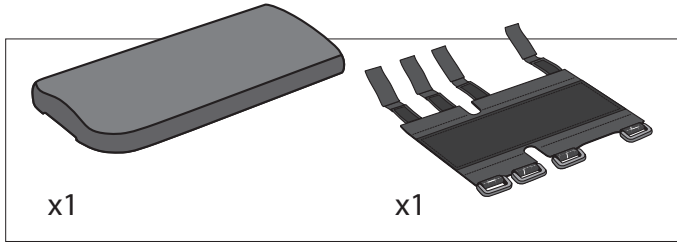


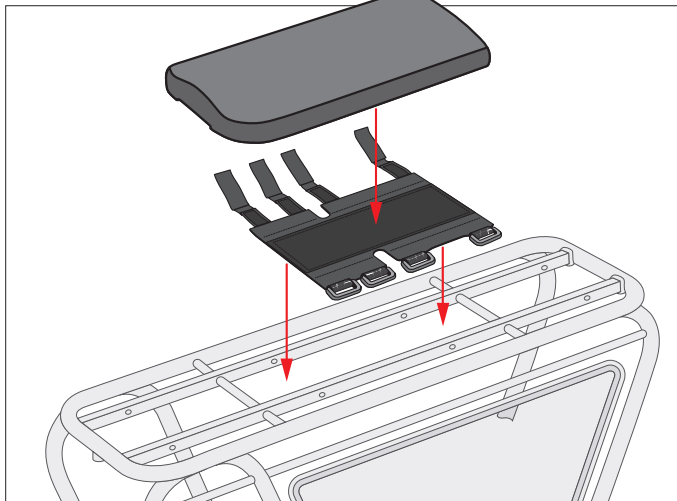
RACK PAD INSTALLATION (SINGLE PAD)

For Benno® and Boost Utility Rear Racks

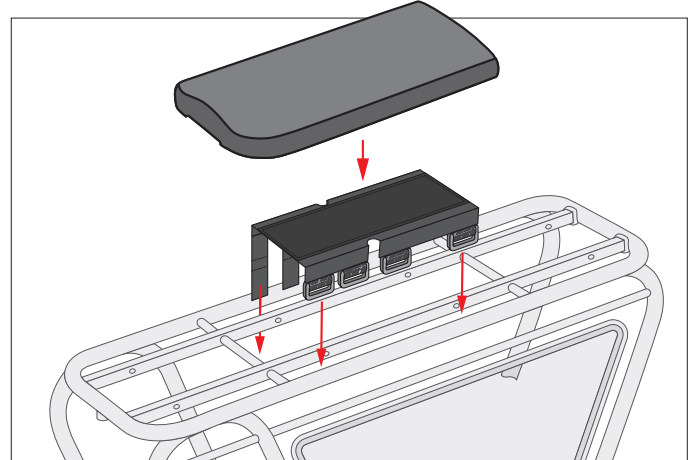


READ CAREFULLY BEFORE INSTALLATION AND USAGE.

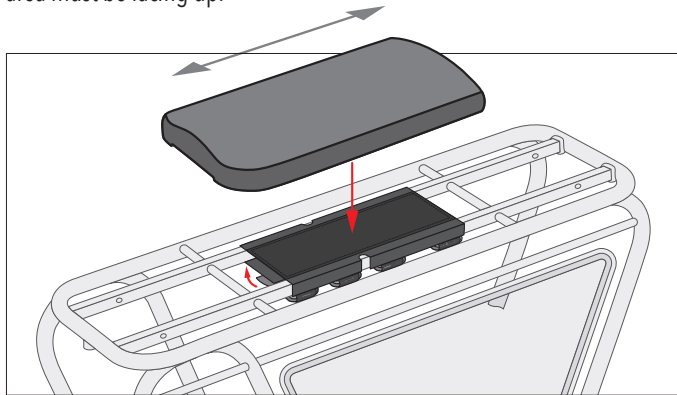
IMPORTANT: See Instructions: Benno Rack Pads can only be used for Benno Boost Utility Rear Racks. Do not modify or install on damaged racks or bikes as this will void any warranties and/or claims of liability. Periodically check to make sure Velcro Pad and Rack Pad remain securely attached to the rack as they may loosen with time. Ensure that either Benno Wheel Guards or Utility Pannier Bags plus Benno High Rail or Half Rail remain on the bike while carrying passengers.



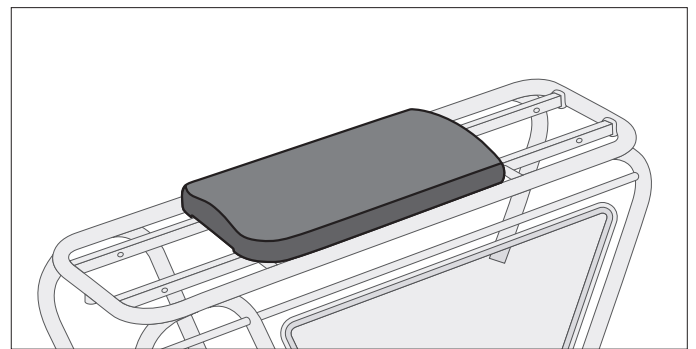
1. Line up the Velcro Pad with the center of the rack as shown. Soft velcro area must be facing up.



2. Fold sides of Velcro Pad down and insert them between the round outer tubes and the inner square tubes as shown.



3. Pass each of the four velcro straps through their adjacent plastic loop, pull them tight and velcro the underneath to themselves. Please ensure that Velcro Pad is firmly attached and does not move.



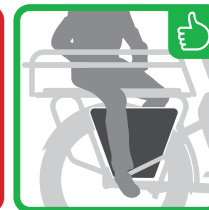
4. Place Rack Pad in the center of the rack and push it down onto the Velcro Pad until it is firmly attached. The Rack Pad can be moved slightly forward or backward for needed position. You can quickly remove the Rack Pad at any time by pulling it off the velcro while leaving the Velcro Pad attached to the rack for future use.

WARNING!

REAR WHEEL MUST BE COVERED!

INSTALL BENNO WHEEL GUARDS OR UTILITY PANNIER BAGS WHILE CARRYING PASSENGERS.

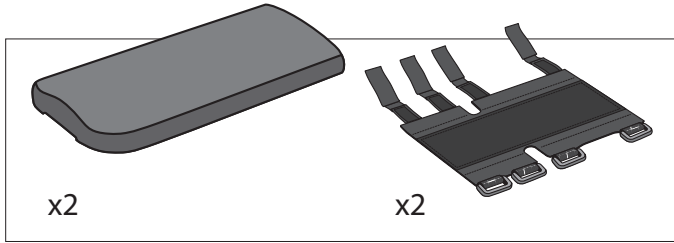
FAILURE TO DO SO COULD RESULT IN SERIOUS INJURY!



WARNING! WHEN CARRYING PASSENGERS, REAR WHEEL MUST BE COVERED! INSTALL BENNO WHEEL GUARDS OR UTILITY PANNIER BAGS. FAILURE TO DO SO COULD RESULT IN SERIOUS INJURY! INSTALL HIGH RAIL FOR BETTER PASSENGER SUPPORT. MAKE SURE THAT NO PARTS OF THE BODY OR CLOTHING COME NEAR MOVING PARTS ON THE BICYCLE, SUCH AS CHAIN, SPOKES, TIRES OR BRAKES. DO NOT EXCEED MAX LOAD INDICATED ON RACK.

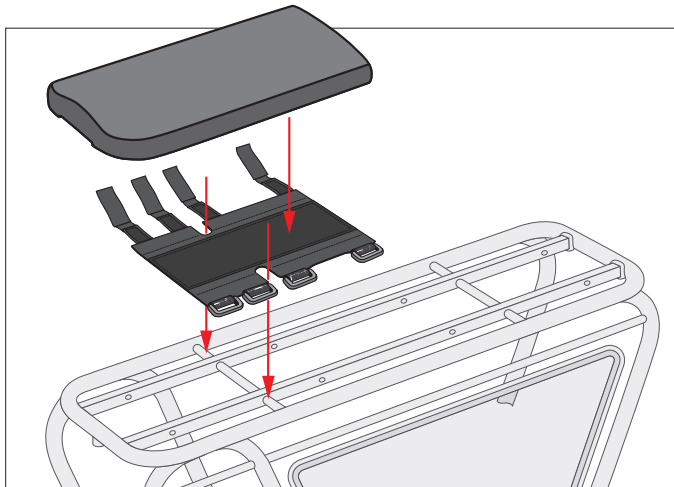
RACK PAD INSTALLATION (DOUBLE PAD)

For Benno® and Boost Utility Rear Racks

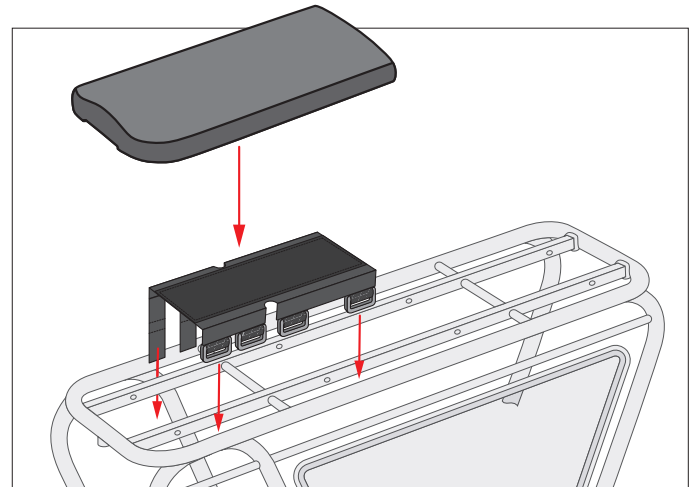


READ CAREFULLY BEFORE INSTALLATION AND USAGE.

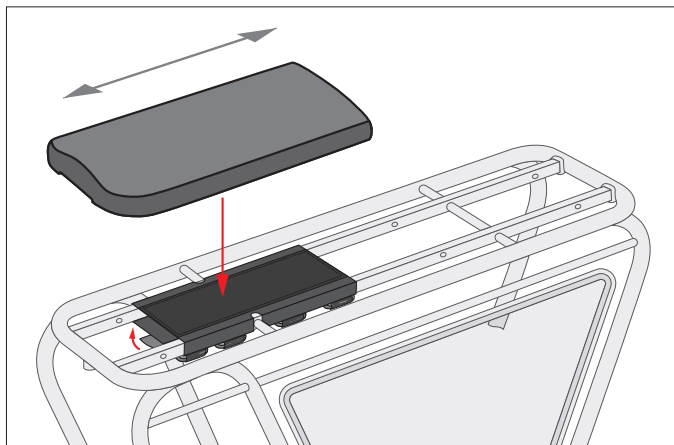
IMPORTANT: See Instructions: Benno Rack Pads can only be used for Benno Boost Utility Rear Racks. Do not modify or install on damaged racks or bikes as this will void any warranties and/or claims of liability. Periodically check to make sure Velcro Pad and Rack Pad remain securely attached to the rack as they may loosen with time. Ensure that either Benno Wheel Guards or Utility Pannier Bags plus Benno High Rail or Half Rail remain on the bike while carrying passengers.



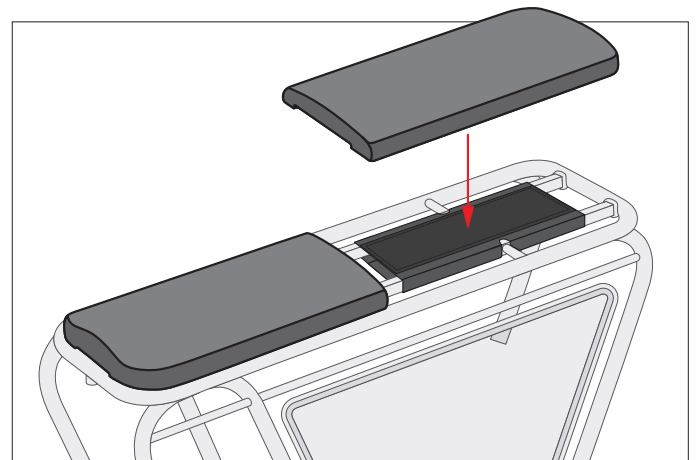
1. Line up the cutout area of the Velcro Pad with the cross tube of the rack as shown. The longer half of the Velcro Pad should face towards the center of the rack. Soft velcro area must be facing up.



2. Fold sides of Velcro Pad down and insert them between the round outer tubes and the inner square tubes as shown.



3. Pass each of the four velcro straps through their adjacent plastic loop, pull them tight and velcro the underneath to themselves. Please ensure that Velcro Pad is firmly attached and does not move.



4. Line Rack Pad up with the rack and push it down onto the Velcro Pad until it is firmly attached. Now install second Velcro Pad and Rack Pad to the other half of the rack, repeating the steps for proper installation.

WARNING! WHEN CARRYING PASSENGERS, REAR WHEEL MUST BE COVERED! INSTALL BENNO WHEEL GUARDS OR UTILITY PANNIER BAGS. FAILURE TO DO SO COULD RESULT IN SERIOUS INJURY! INSTALL HIGH RAIL FOR BETTER PASSENGER SUPPORT. MAKE SURE THAT NO PARTS OF THE BODY OR CLOTHING COME NEAR MOVING PARTS ON THE BICYCLE, SUCH AS CHAIN, SPOKES, TIRES OR BRAKES. DO NOT EXCEED MAX LOAD INDICATED ON RACK.