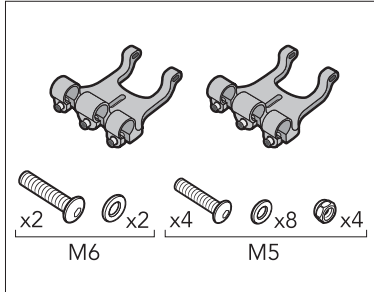


HALF RAIL INSTALLATION

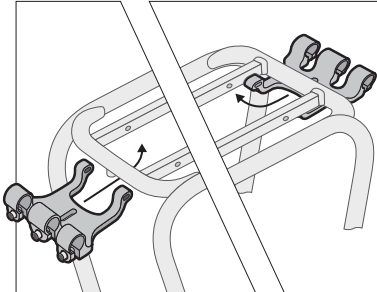
For Benno® Carry On and Boost E Utility Rear Racks

**READ CAREFULLY BEFORE INSTALLATION AND USAGE.
TO BE INSTALLED BY MECHANIC AT AUTHORIZED BENNO DEALER.**

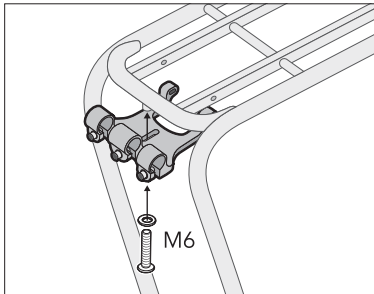
STEP 1: RAIL CLAMP INSTALLATION (NOT INCLUDED. SOLD SEPERATELY.)



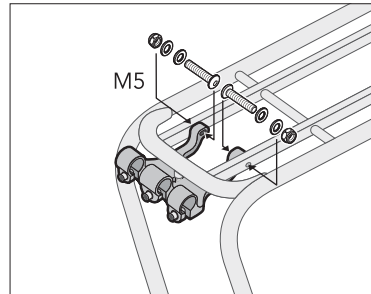
1. Ensure correct hardware count before installation. Separate the 2 larger M6 bolts and washers from the 4 smaller M5 bolts, washers and self-locking nuts.



2. Place one clamp on each end of the Benno Utility Rear Rack (front and rear). Insert clamp from below, position between the square center tubes and line up with pre-drilled holes.

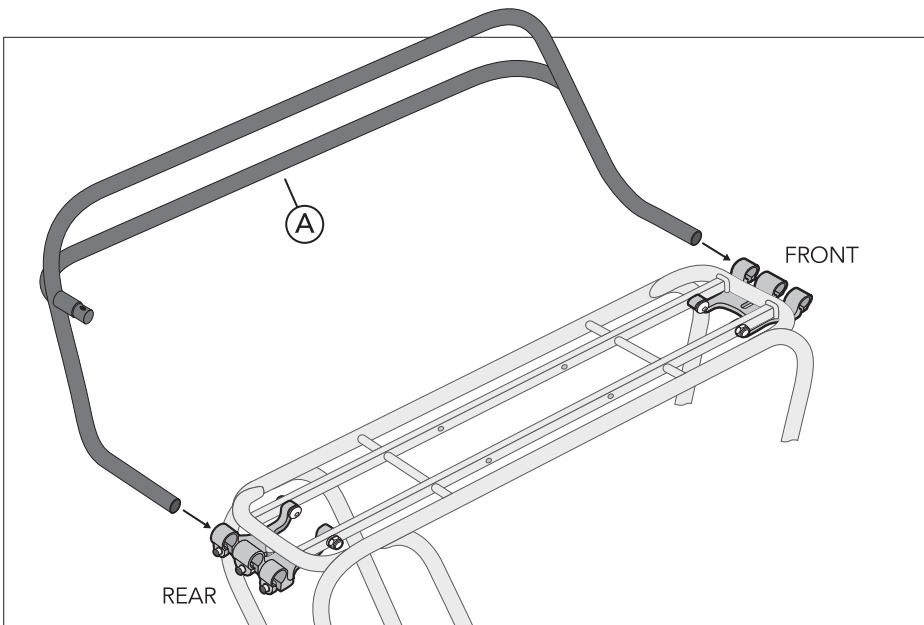


3. Insert large M6 bolt and washer through the slotted hole of the clamp and screw into the fitting on the underside of the rack. TIGHTEN BOLT SLIGHTLY – CLAMP STILL NEEDS TO BE ABLE TO MOVE.

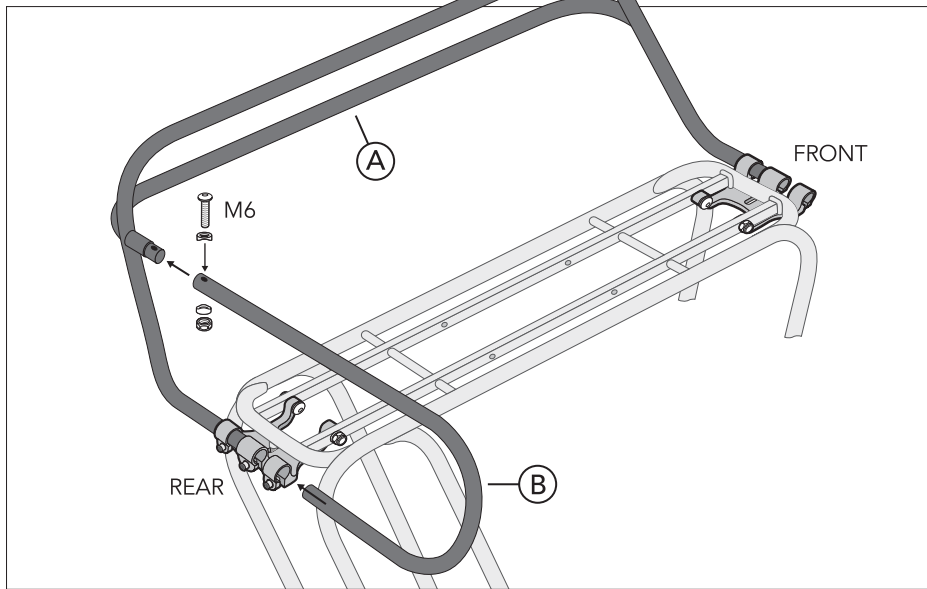


4. Insert smaller M5 bolts through clamp arms and pre-drilled holes in square center tubes. Place washers and self-locking nuts as shown. TIGHTEN NUTS SLIGHTLY – CLAMP STILL NEEDS TO BE ABLE TO MOVE.

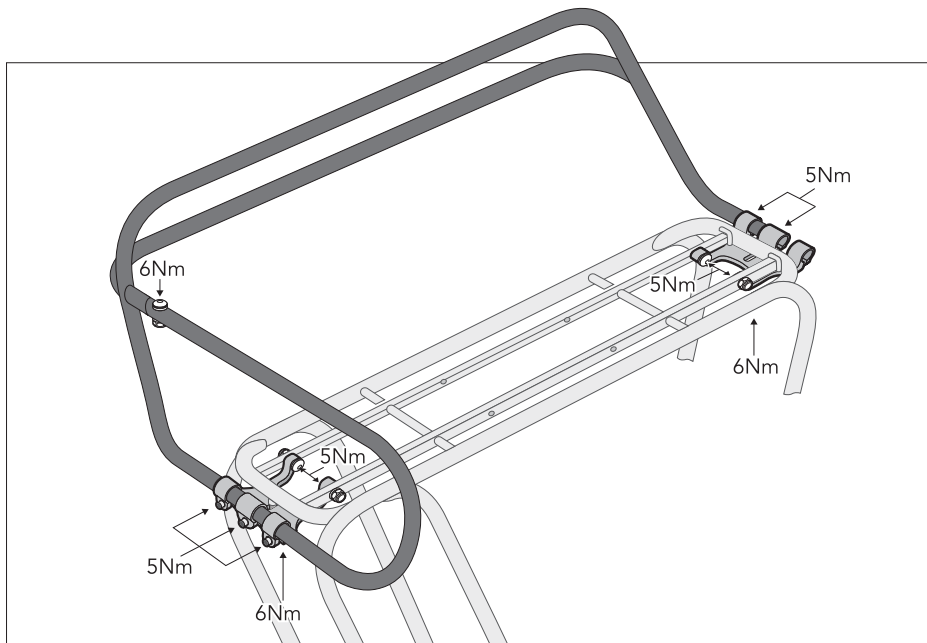
STEP 2: HALF RAIL INSTALLATION



5. Insert both ends of left rail (A) from the left side all the way into the center of the clamps until they come to a stop. Loosen clamp bolts as needed for easy insertion. DO NOT TIGHTEN YET.



6. Insert rear rail loop (B) from the right side all the way into the center of the rear clamp until it comes to a stop while, at the same time, connecting it to the left rail (A) as shown. Use M6 bolt, spacers and nut as shown to ensure secure connection between rail (A) and rail (B).



7. Once all pieces are installed, adjust and straighten rails and clamps as needed. **IMPORTANT: NOW TIGHTEN ALL HARDWARE FIRMLY** (see Nm in illustration). Please double-check all 13 nuts and bolts.

IMPORTANT: Notes to mechanic: See diagram. Install Benno Clamps and Rails only on compatible Benno Utility Rear Racks and use only pre-drilled holes and fittings. M5 nuts and bolts are to be tightened to 5Nm and M6 bolts to 6Nm. Do not mount clamps and rails to damaged racks. Use only original Benno Rails with the Benno Rail Clamps. Do not modify clamps, racks or rails, change position or drill new holes as this will void any warranties and/or claims for liability.

Notes to owner: Periodically check to make sure all nuts and bolts remain tightened as vibrations may loosen them. Always make sure no parts of the body or clothing come near moving parts on the bicycle such as chain, spokes, tires or brakes.

WARNING: BENNO RAILS MAY HELP STABILIZE LOAD DURING NORMAL OPERATION BUT DO NOT PROTECT IN THE EVENT OF AN ACCIDENT OR BIKE FALLING OVER. RAILS DO NOT INCREASE MAX LOAD INDICATED ON RACK. DO NOT SIT OR STAND ON RAILS.