

DUAL KICKSTAND INSTALLATION

For Benno® RemiDemi **EVO 2 (Aluminum Frame)**

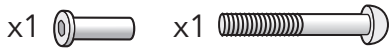
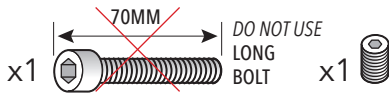
**READ CAREFULLY BEFORE INSTALLATION AND USAGE.
TO BE INSTALLED BY MECHANIC AT AUTHORIZED BENNO DEALER.**

COMPATIBILITY

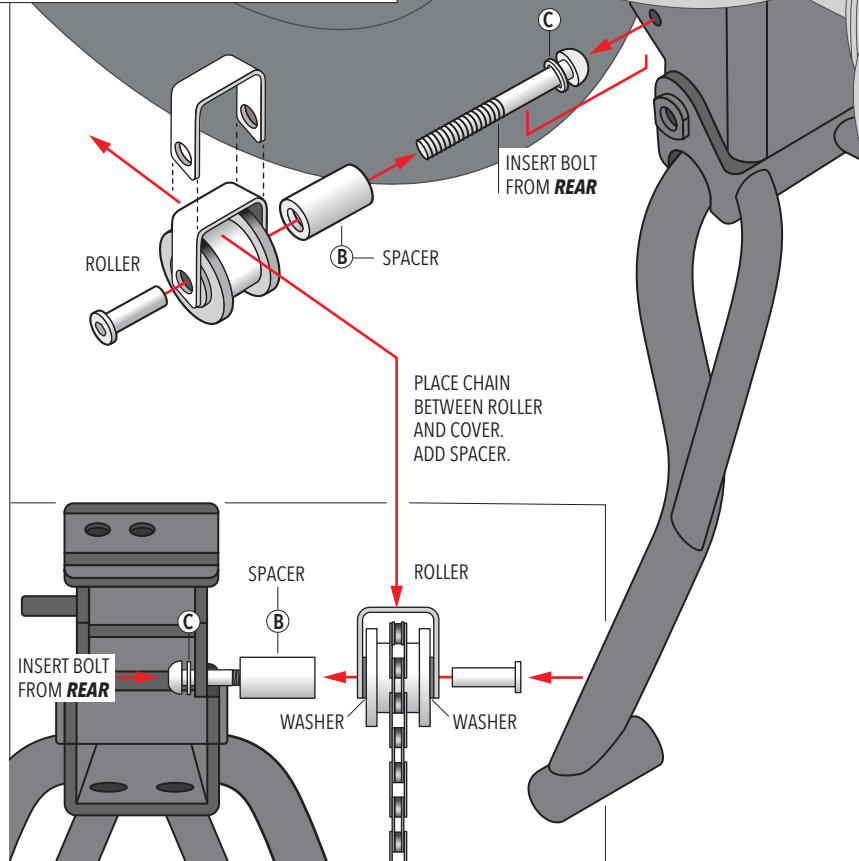
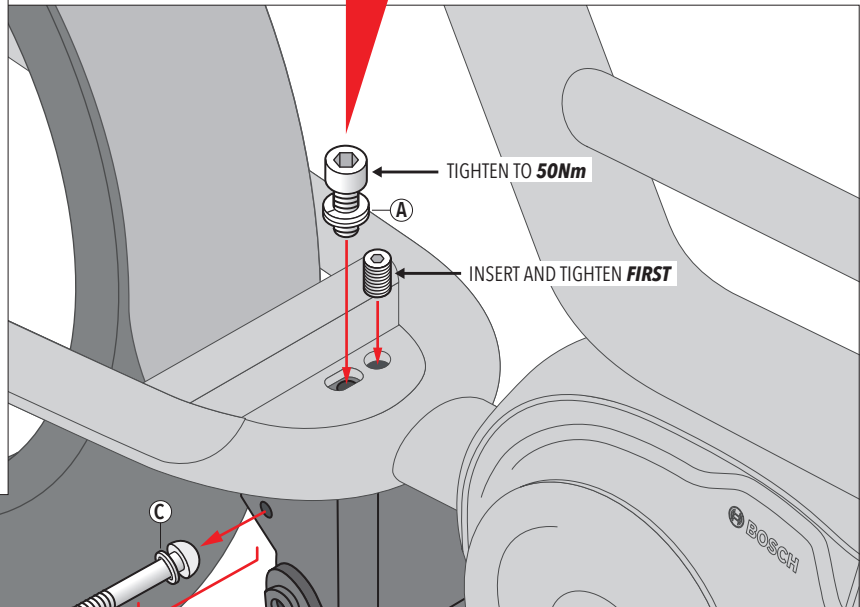
REMIDEMI EVO 1,2

FOR BOOST **EVOLUTION** FINDER GO TO:
BENNOBIKES.COM/BOOST/EVOLUTION

EVO (evolution) replaces model years and refers to design generations.



IMPORTANT: USE SHORT 25MM BOLT FOR REMIDEMI EVO 2 (ALUMINUM FRAME)



IMPORTANT: Notes to mechanic: See diagram. Install Benno Dual Kickstand only on compatible Benno Bikes and use only pre-drilled holes and fittings. Do not mount to damaged bikes or if kickstand is damaged. Use only original Benno hardware included. Do not modify kickstand, mounting points on bike, change position or drill new holes as this will void any warranties and/or claims for liability. Ensure firm and proper installation and function.

Notes to owner: Periodically check to make sure the nuts and bolts remain tight as vibrations may loosen them. Always make sure no parts of the body or clothing come near moving parts on the bicycle such as chain, spokes, tires or brakes.

WARNING: ALWAYS KEEP AT LEAST ONE HAND ON THE BICYCLE WHEN USED WITH CHILDREN / PASSENGERS TO PREVENT THE BIKE FROM FALLING OVER. DO NOT RELY ON KICKSTAND ONLY. USE CAUTION WHEN RIDING OR PUSHING BIKE AS KICKSTAND EXTENDS OUT TO THE SIDES. DO NOT OPERATE WITH YOUR HANDS. INSTALLATION WITH TOP PLATE MAY SCRATCH OR DAMAGE PAINT.



DUAL KICKSTAND INSTALLATION

For Benno® RemiDemi **EVO 1 (Steel Frame)**

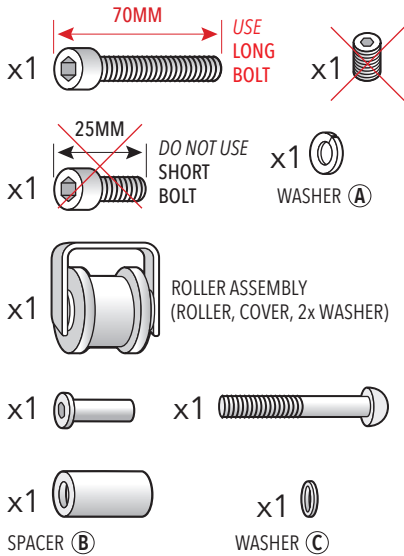
**READ CAREFULLY BEFORE INSTALLATION AND USAGE.
TO BE INSTALLED BY MECHANIC AT AUTHORIZED BENNO DEALER.**

COMPATIBILITY

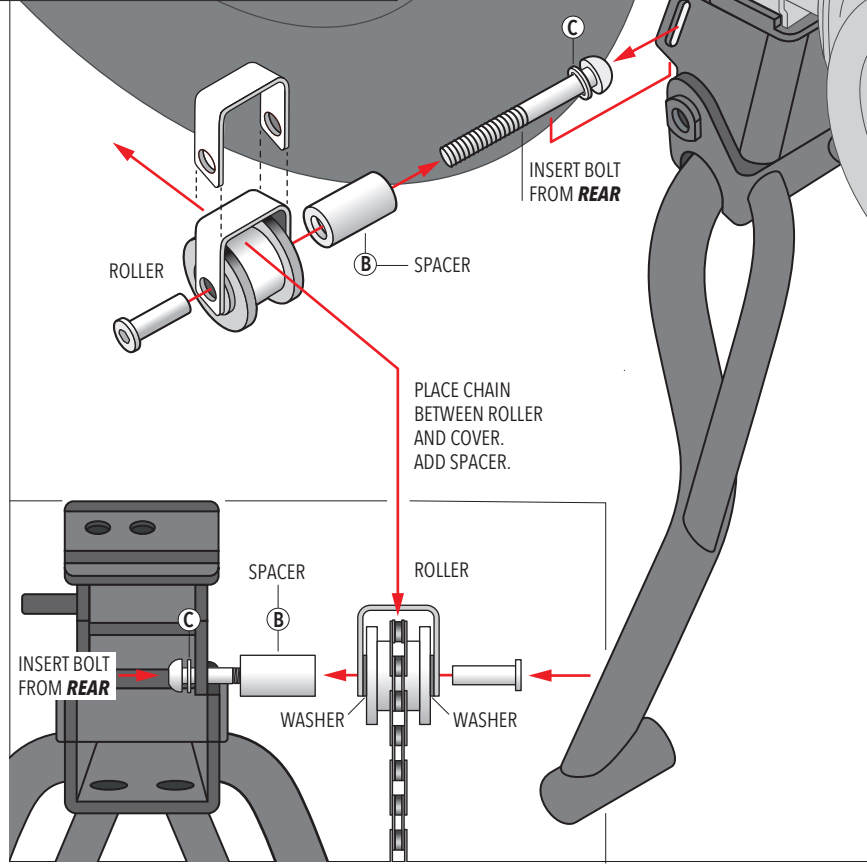
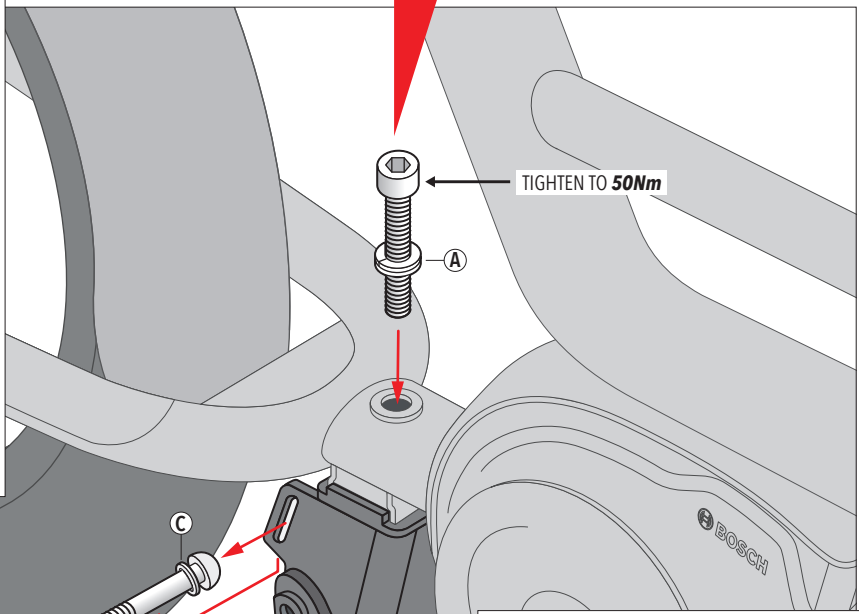
REMIDEMI EVO 1,2

FOR BOOST **EVOLUTION** FINDER GO TO:
BENNOBIKES.COM/BOOST/EVOLUTION

EVO (evolution) replaces model years and refers to design generations.



IMPORTANT: USE LONG 70MM BOLT FOR REMIDEMI EVO 1 (STEEL FRAME)



IMPORTANT: Notes to mechanic: See diagram. Install Benno Dual Kickstand only on compatible Benno Bikes and use only pre-drilled holes and fittings. Do not mount to damaged bikes or if kickstand is damaged. Use only original Benno hardware included. Do not modify kickstand, mounting points on bike, change position or drill new holes as this will void any warranties and/or claims for liability. Ensure firm and proper installation and function.

Notes to owner: Periodically check to make sure the nuts and bolts remain tight as vibrations may loosen them. Always make sure no parts of the body or clothing come near moving parts on the bicycle such as chain, spokes, tires or brakes.

WARNING: ALWAYS KEEP AT LEAST ONE HAND ON THE BICYCLE WHEN USED WITH CHILDREN / PASSENGERS TO PREVENT THE BIKE FROM FALLING OVER. DO NOT RELY ON KICKSTAND ONLY. USE CAUTION WHEN RIDING OR PUSHING BIKE AS KICKSTAND EXTENDS OUT TO THE SIDES. DO NOT OPERATE WITH YOUR HANDS. INSTALLATION WITH TOP PLATE MAY SCRATCH OR DAMAGE PAINT.

