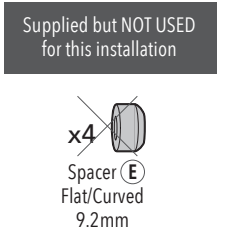
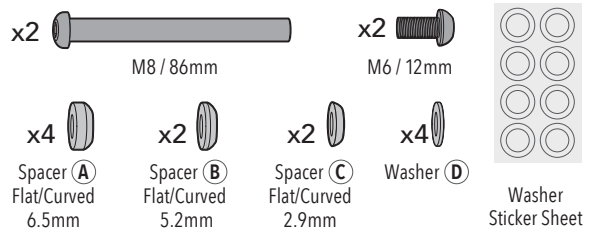


CITY FRONT BASKET INSTALLATION

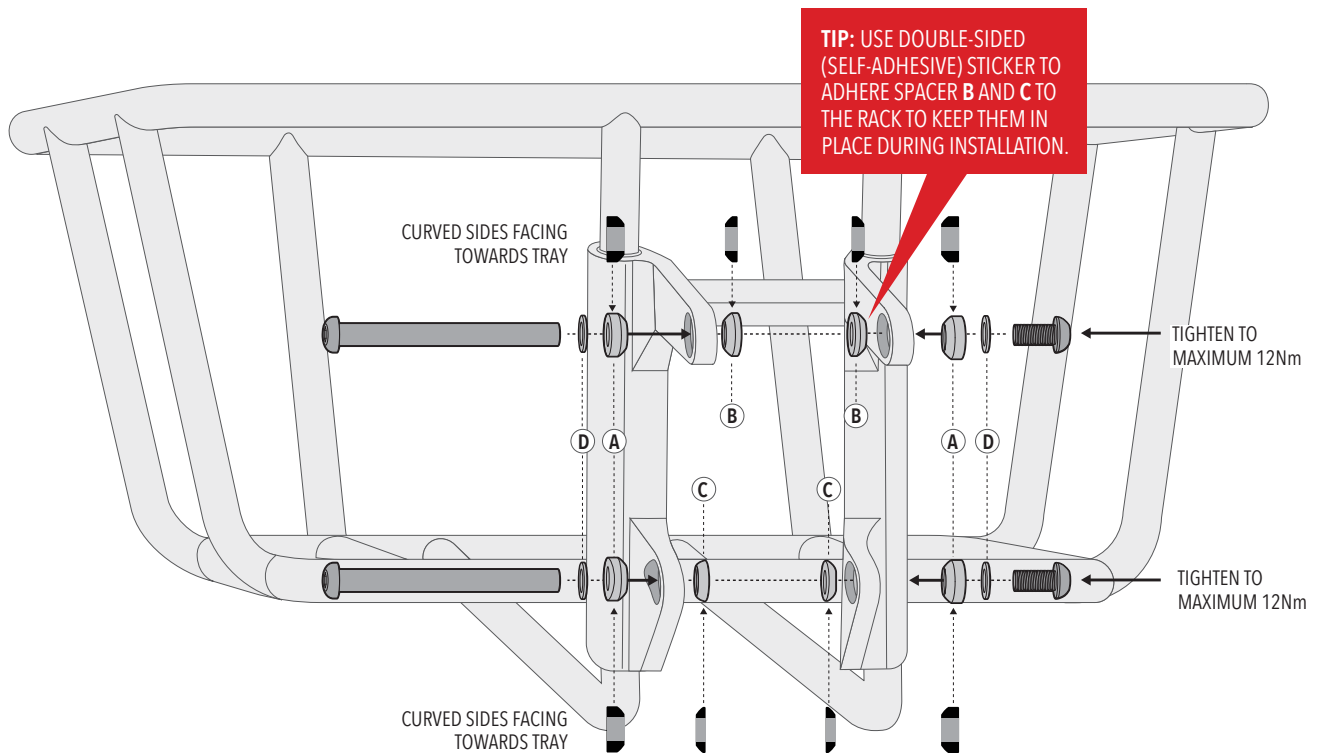
For Benno® Boost (EVO 4 and later) and 46er

READ CAREFULLY BEFORE INSTALLATION AND USAGE.
TO BE INSTALLED BY MECHANIC AT AUTHORIZED BENNO DEALER.



COMPATIBILITY	
BOOST	EVO 4,5
46ER	
FOR BOOST EVOLUTION FINDER GO TO: BENNOBIKES.COM/BOOST/EVOLUTION	

EVO (evolution) replaces model years and refers to design generations.



IMPORTANT: Notes to mechanic: See diagram. Install Benno City Front Basket only on compatible Benno Bikes and use only pre-drilled holes and fittings. Bolts are to be tightened to maximum 12Nm. Do not mount to damaged bikes or if basket is damaged. Use only original Benno hardware (included). Do not modify basket, mounting points on bike, change position or drill new holes as this will void any warranties and/or claims for liability. Ensure firm and proper installation and safe clearance to the front wheel and headlight.

Notes to owner: Periodically check to make sure the nuts and bolts remain tight as vibrations may loosen them. Always make sure no parts of the body or clothing come near moving parts on the bicycle such as chain, spokes, tires or brakes

WARNING: BENNO CITY FRONT BASKET IS DESIGNED TO CARRY CARGO ONLY - NO PASSENGERS. SECURE YOUR LOAD FIRMLY AND ENSURE SAFE CLEARANCE TO THE FRONT WHEEL AND HEADLIGHT. DO NOT EXCEED MAX LOAD INDICATED ON BASKET OR MAX GROSS WEIGHT OF BIKE INDICATED ON LOWER SEAT TUBE OF BIKE.

