

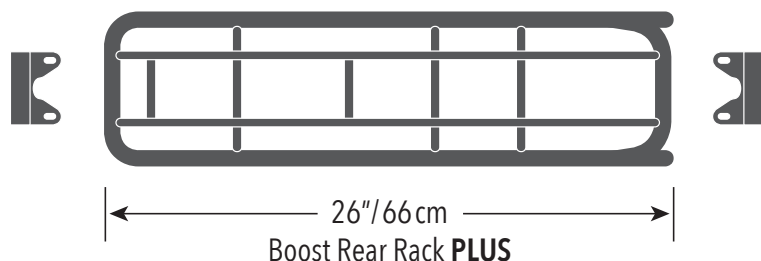
BOOST PLATFORM RAIL PLUS INSTALLATION

For Benno® Boost (EVO 4 and later)

READ CAREFULLY BEFORE INSTALLATION AND USAGE. TO BE INSTALLED BY MECHANIC AT AUTHORIZED BENNO DEALER.



IMPORTANT: MUST BE INSTALLED WITH RAIL CLAMPS PLUS. (NOT INCLUDED. MUST BE PURCHASED SEPARATELY)

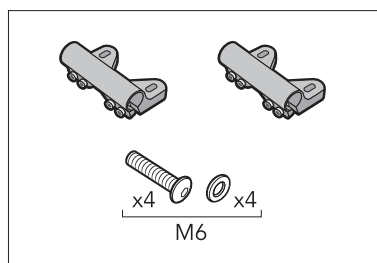


IMPORTANT: *Notes to mechanic:* See Instructions. Install Benno rail clamps and rails only on compatible Benno rear racks and use only pre-drilled holes and fittings. Do not mount clamps and rails to damaged racks. Use only original Benno rails with the Benno rail clamps. Do not modify clamps, racks or rails, change position or drill new holes as this will void any warranties and/or claims for liability.

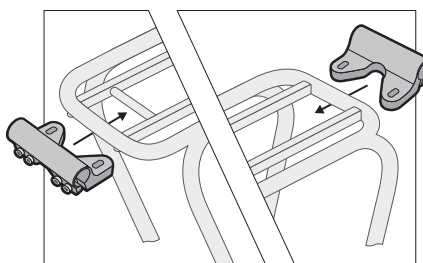
Notes to owner: Periodically check to make sure all nuts and bolts remain tightened as vibrations may loosen them.

THIS RAIL IS FOR CARGO USE ONLY! DO NOT USE FOR PASSENGERS.

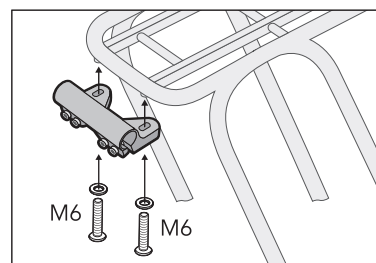
STEP 1: RAIL CLAMP PLUS INSTALLATION



1. Ensure correct hardware count before installation. Included are two clamps and four M6 bolts and washers.



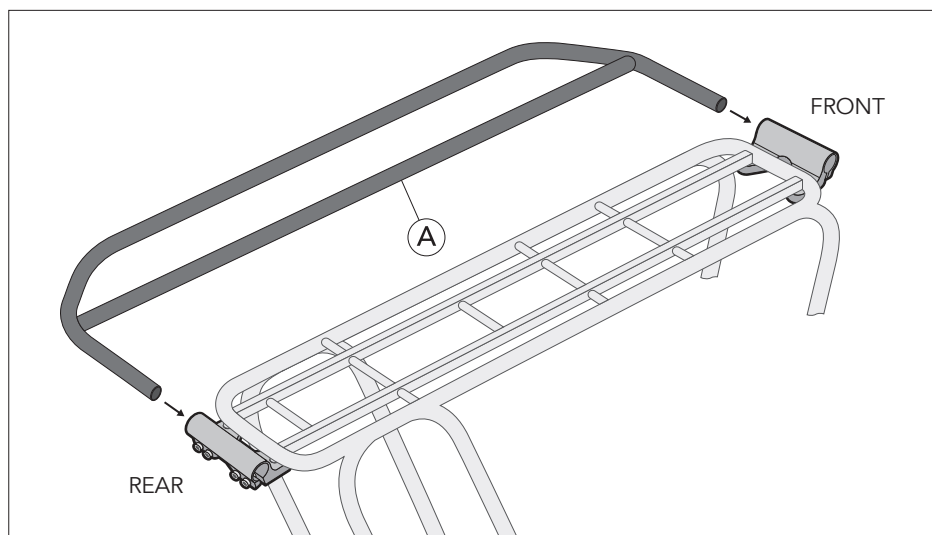
2. Place one clamp on each end of the rack (front and rear). Insert clamps from below and line up with the two fittings on the underside of the rack.



3. Insert the two M6 bolts through the slotted holes of the clamp and screw into the fittings on the underside of the rack. **HAND-TIGHTEN BOLTS SLIGHTLY – CLAMPS STILL NEED TO BE ABLE TO MOVE.**

STEP 2: PLATFORM RAIL PLUS INSTALLATION

4. Insert both ends of rail (A) from the left side all the way into the center of the clamps until they come to a stop. Loosen clamp bolts as needed for easy insertion. **DO NOT TIGHTEN YET.**

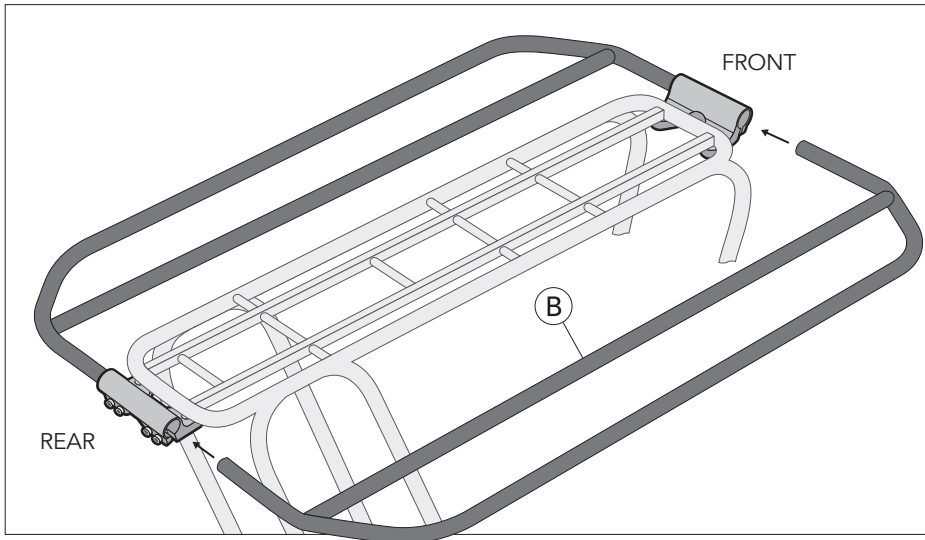


COMPATIBILITY

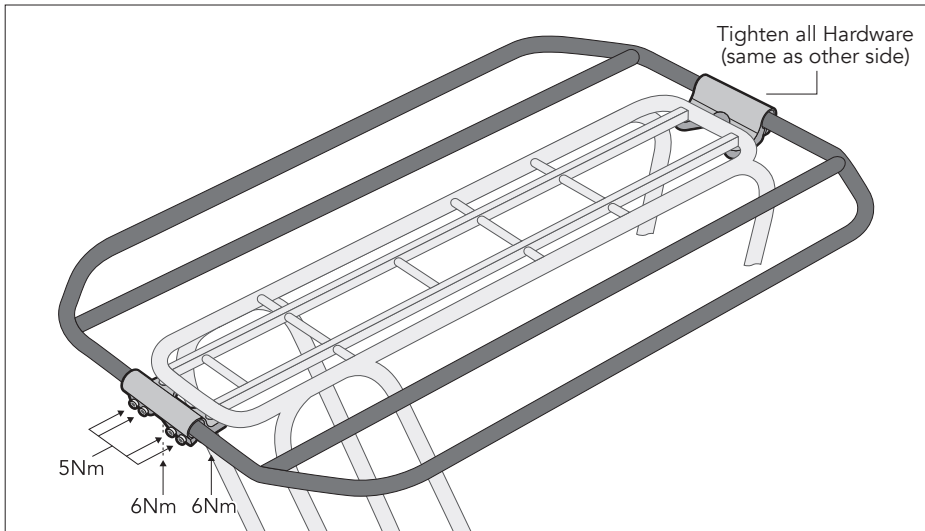
BOOST EVO 4 and later

FOR BOOST **E**VO LUTION FINDER GO TO:
BENNOBIKES.COM/BOOST/EVOLUTION

EVO (evolution) replaces model years and refers to design generations.



5. Insert both ends of rail (B) from the right side all the way into the center of the clamps until they come to a stop.



6. Once all pieces are installed, adjust and straighten rails and clamps as needed.

IMPORTANT:
NOW TIGHTEN ALL HARDWARE FIRMLY
 (see Nm in illustration).
 Please double-check all 12 bolts.

THIS RAIL IS FOR CARGO USE ONLY! DO NOT USE FOR PASSENGERS. BENNO RAILS MAY HELP STABILIZE LOAD DURING NORMAL OPERATION BUT DO NOT PROTECT IN THE EVENT OF AN ACCIDENT OR BIKE FALLING OVER. RAILS DO NOT INCREASE MAX LOAD INDICATED ON RACK. DO NOT SIT OR STAND ON RAILS.