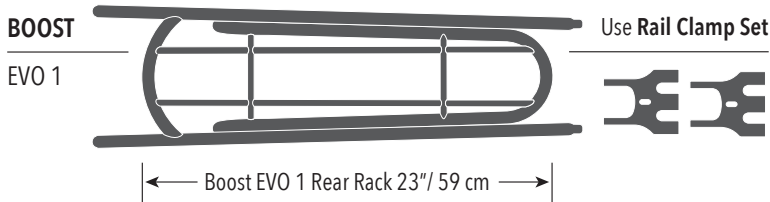
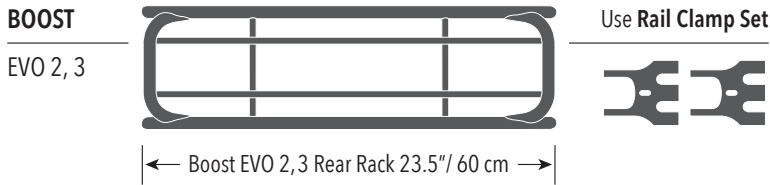


BOOST HALF RAIL INSTALLATION

For Benno® Boost (EVO 1,2,3) Rear Racks

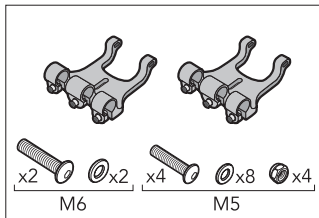
READ CAREFULLY BEFORE INSTALLATION AND USAGE. TO BE INSTALLED BY MECHANIC AT AUTHORIZED BENNO DEALER.



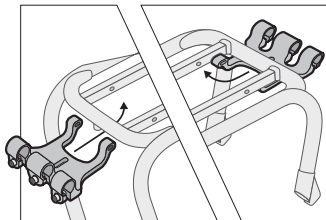
IMPORTANT: *Notes to mechanic:* See diagram. Install Benno Rail Clamps and Rails only on compatible Benno Boost Rear Racks and use only pre-drilled holes and fittings. M5 bolts are to be tightened to 5Nm and M6 bolts to 6Nm. Do not mount clamps and rails to damaged racks. Use only original Benno Rails with Benno Rail Clamps. Do not modify clamps, racks or rails, change position or drill new holes as this will void any warranties and/or claims for liability.

Notes to owner: Periodically check to make sure all nuts and bolts remain tightened as vibrations may loosen them. Ensure that either Benno Wheel Guards or Utility Pannier Bags remain on the bike while carrying passengers. Always make sure no parts of the body or clothing come near moving parts on the bicycle such as chain, spokes, tires or brakes.

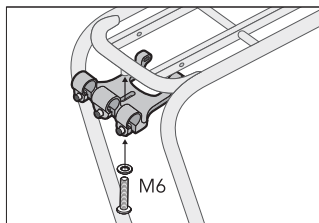
STEP 1: RAIL CLAMP INSTALLATION (NOT INCLUDED/SOLD SEPARATELY)



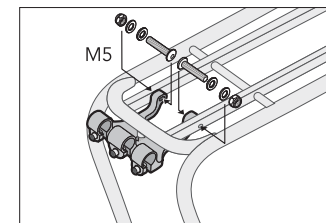
1. Ensure correct hardware count before installation. Separate the 2 larger M6 bolts and washers from the 4 smaller M5 bolts, washers and self-locking nuts.



2. Place one clamp on each end of the Benno Utility Rear Rack (front and rear). Insert clamp from below, position between the square center tubes and line up with pre-drilled holes.



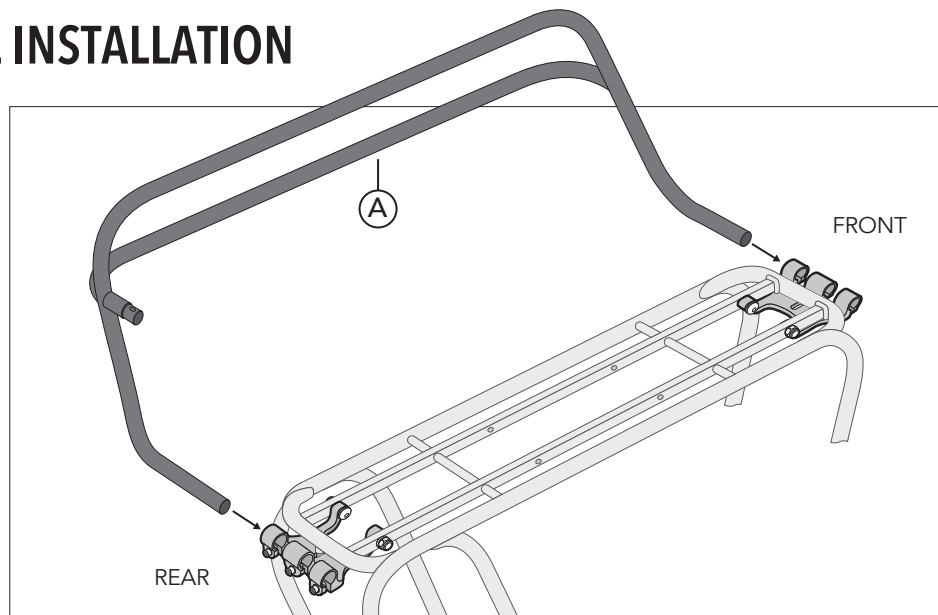
3. Insert large M6 bolt and washer through the slotted hole of the clamp and screw into the fitting on the underside of the rack. **TIGHTEN BOLT SLIGHTLY – CLAMP STILL NEEDS TO BE ABLE TO MOVE.**



4. Insert smaller M5 bolts through clamp arms and pre-drilled holes in square center tubes. Place washers and self-locking nuts as shown. **TIGHTEN NUTS SLIGHTLY – CLAMP STILL NEEDS TO BE ABLE TO MOVE.**

STEP 2: HALF RAIL INSTALLATION

5. Insert rails all the way to the middle of the center clamp. Loosen clamp bolts as needed for easy insertion. Install entire rail before tightening.

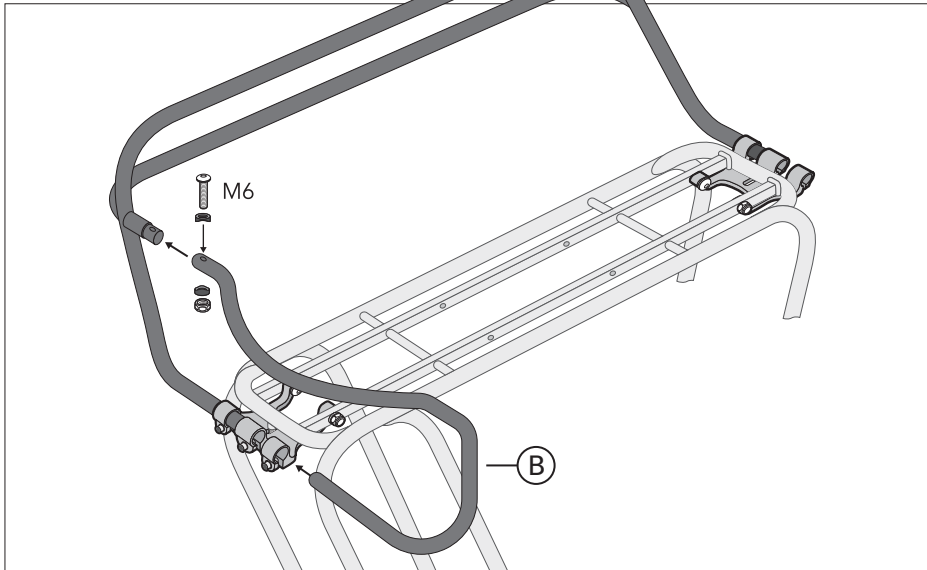


COMPATIBILITY

BOOST EVO 1,2,3

FOR BOOST **EVOLUTION** FINDER GO TO:
BENNOBIKES.COM/BOOST/EVOLUTION

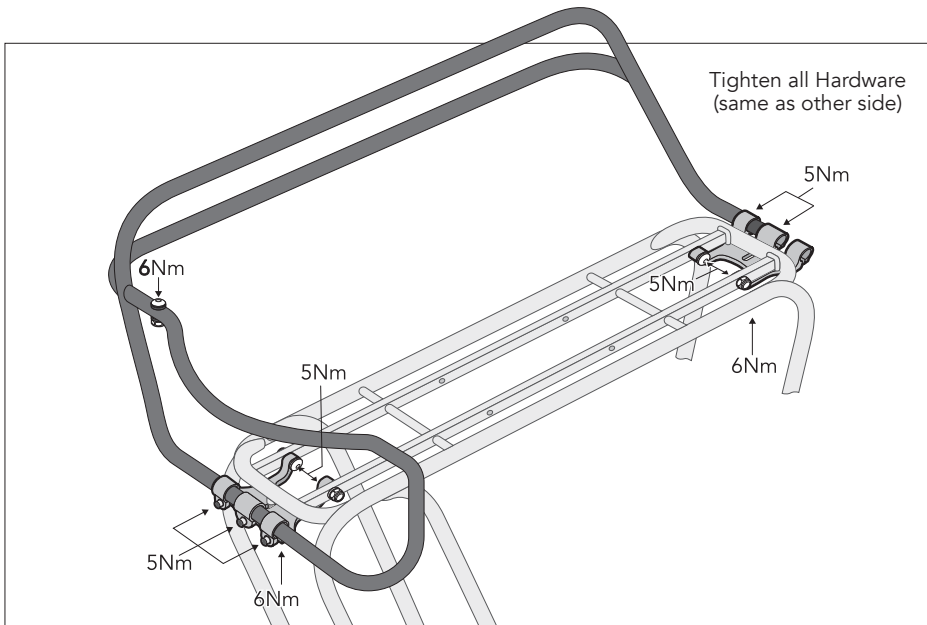
EVO (evolution) replaces model years and refers to design generations.



6. When all pieces are installed, adjust and straighten clamps and rails if needed.

IMPORTANT:
NOW TIGHTEN ALL HARWARE FIRMLY
(see Nm above).

After installation, please check for secure fit and that everything works correctly.



7. When all pieces are installed, adjust and straighten clamps and rails if needed.

IMPORTANT:
NOW TIGHTEN ALL HARWARE FIRMLY
(see Nm above).

After installation, please check for secure fit and that everything works correctly.

WARNING!

REAR WHEEL MUST BE COVERED!

INSTALL BENNO WHEEL GUARDS OR UTILITY PANNIER BAGS BEFORE CARRYING PASSENGERS.

FAILURE TO DO SO COULD RESULT IN SERIOUS INJURY!



WHEN CARRYING PASSENGERS, REAR WHEEL MUST BE COVERED! INSTALL BENNO WHEEL GUARDS OR UTILITY PANNIER BAGS. FAILURE TO DO SO COULD RESULT IN SERIOUS INJURY! MAKE SURE THAT NO PARTS OF THE BODY OR CLOTHING COME NEAR MOVING PARTS ON THE BICYCLE, SUCH AS CHAIN, SPOKES, TIRES OR BRAKES. BENNO RAILS MAY HELP STABILIZE LOAD DURING NORMAL OPERATION BUT DO NOT PROTECT IN THE EVENT OF AN ACCIDENT OR BIKE FALLING OVER. RAILS DO NOT INCREASE MAX LOAD INDICATED ON RACK. DO NOT SIT OR STAND ON RAILS.