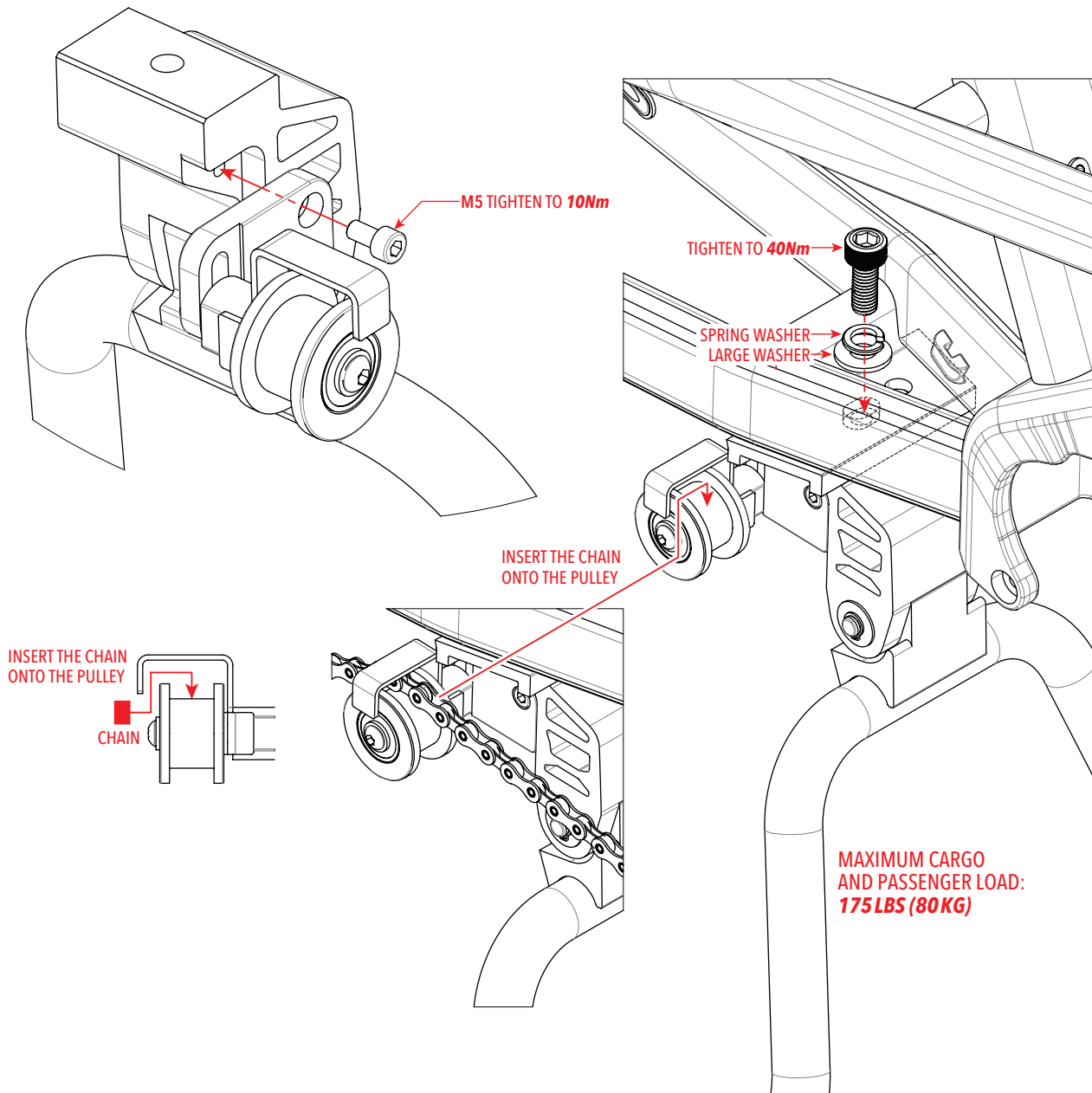


46ER DUAL KICKSTAND LIGHT INSTALLATION

For Benno® 46er

READ CAREFULLY BEFORE INSTALLATION AND USAGE. TO BE INSTALLED BY MECHANIC AT AUTHORIZED BENNO DEALER.

IMPORTANT INSTALLATION AND SAFETY INSTRUCTIONS: *Notes to mechanic:* Install the Benno Dual Kickstand only on compatible Benno Bikes, using the pre-drilled holes and original Benno hardware included in the package. Do not mount the kickstand on damaged bikes or use a damaged kickstand. Modifying the kickstand or mounting points, changing its position, or drilling new holes will void warranties and release the manufacturer from any liability. Ensure the kickstand is firmly and securely installed for proper function. *Notes to owner:* Periodically check the nuts and bolts to ensure they remain tight, as vibrations may cause them to loosen. Always keep your body and clothing clear of moving parts such as the chain, spokes, tires, and brakes.



WARNING: THE KICKSTAND IS DESIGNED TO SUPPORT A MAXIMUM CARGO AND PASSENGER LOAD OF 175 LBS (80 KG). NEVER SIT ON THE BIKE WHILE THE KICKSTAND IS ENGAGED, AS THIS MAY CAUSE INSTABILITY OR DAMAGE. DO NOT RELY ON THE KICKSTAND ALONE FOR STABILITY. ALWAYS KEEP AT LEAST ONE HAND ON THE BIKE WHEN CHILDREN OR PASSENGERS ARE ONBOARD TO PREVENT TIPPING. EXERCISE CAUTION WHEN RIDING OR PUSHING THE BIKE, AS THE KICKSTAND EXTENDS OUTWARD. DO NOT OPERATE THE KICKSTAND WITH YOUR HANDS. INSTALLATION USING THE TOP PLATE MAY SCRATCH OR DAMAGE THE BIKE'S PAINT. **FAILURE TO COMPLY MAY RESULT IN SERIOUS INJURY.**